

Architectural Range > Pre-cast Concrete

Pre-cast Concrete

Over the past 20 years Leda has developed a comprehensive range of pre-cast concrete bollards in both traditional and modern profiles.

Leda pre-cast concrete bollards are manufactured using off-white cement and are lightly sand-blasted to provide an attractive exposed finish. Other surface finishes may be available on certain models – check with your Leda sales office.

Pre-cast concrete bollards are an effective visual deterrent for vehicular access control, and require minimal maintenance. While some models are free standing, the majority are installed using cast-in heavy duty galvanised pipe sections. This provides an effective method of keying into the pavement by either core drilling or casting into concrete. Wherever possible, stainless steel ferrules are cast-in to the bollards for ease of handling and lifting.

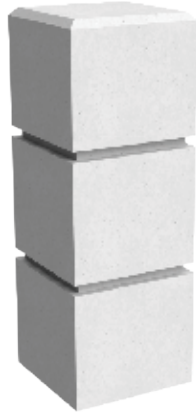
Features

- Large range of aesthetic shapes
- Sturdy and strong
- Effective visual deterrent
- Minimum maintenance

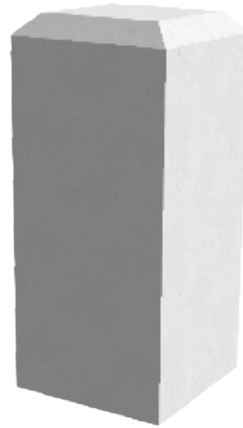




Richmond



Windsor



Russell Square



Russell Round



Roman



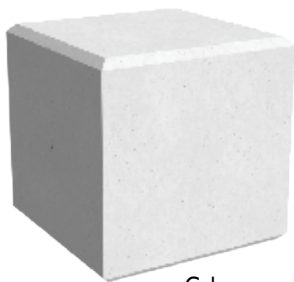
Camden Dome



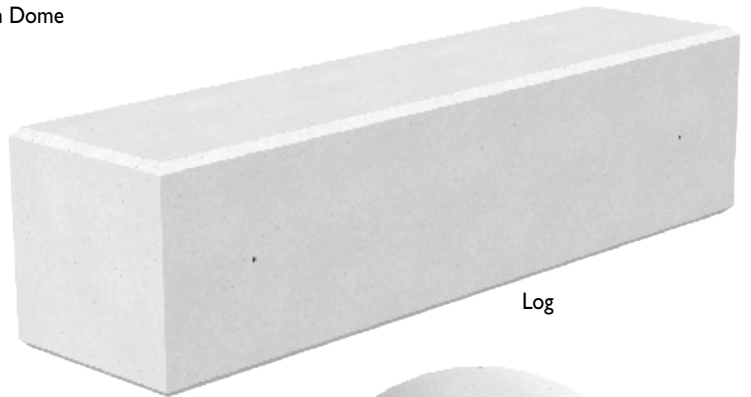
Camden Spherical



Cairo



Cube



Log



Colossus

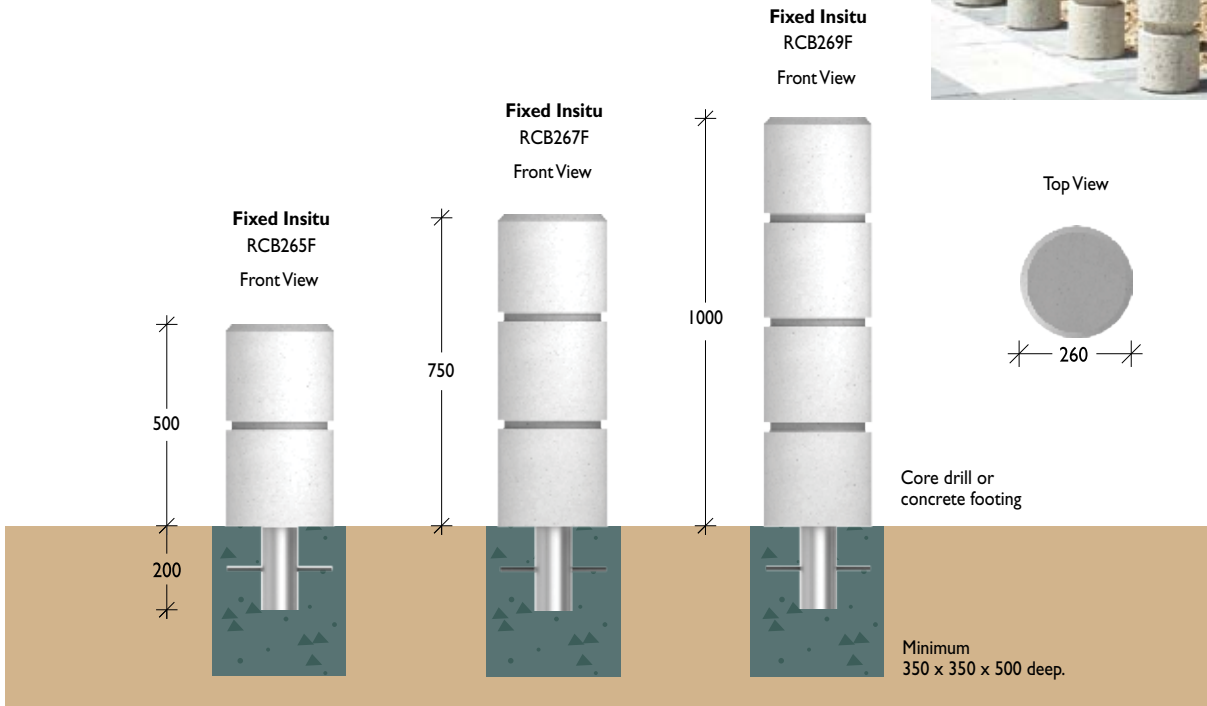
Architectural Range > Pre-cast Concrete

Product Range

1300 780 450

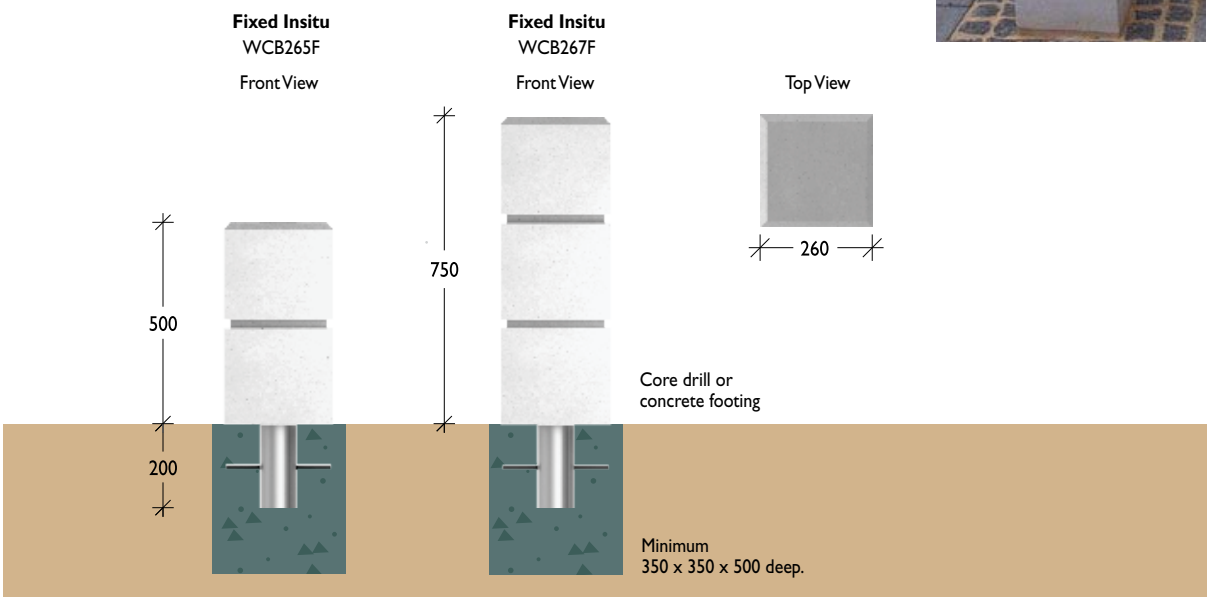
Richmond

Material 30MPa concrete / 80NB (88.9) x 5.0mm heavy duty galvanised pipe
Finish Off-white, lightly sand blasted



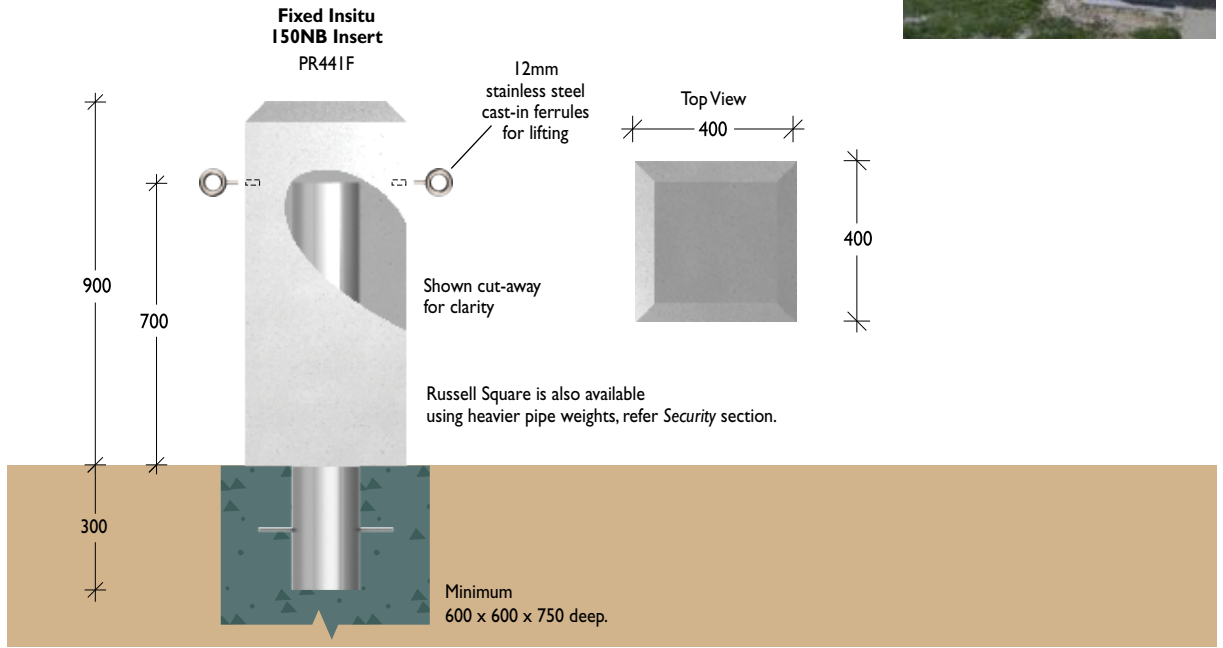
Windsor

Material 30MPa concrete / 80NB (88.9) x 5.0mm heavy duty galvanised pipe
Finish Off-white, lightly sand blasted



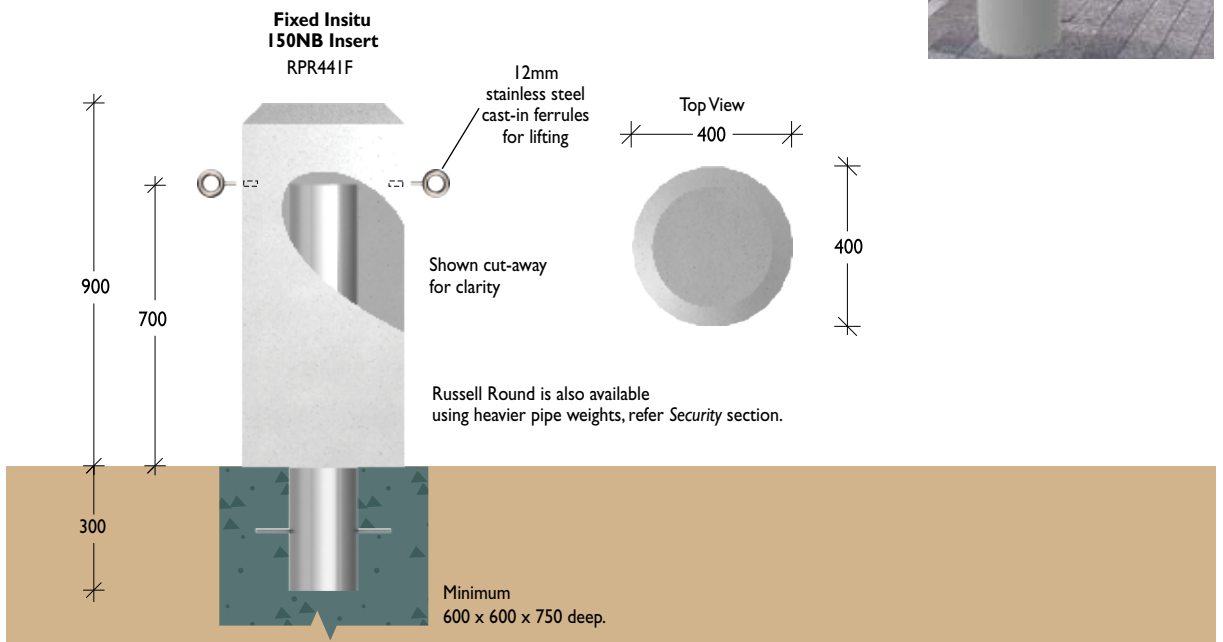
Russell Square

Material 30MPa concrete / 150NB (168.3) x 5.4mm linepipe
Finish Off-white, lightly sand blasted



Russell Round

Material 30MPa concrete / 150NB (168.3) x 5.4mm linepipe
Finish Off-white, lightly sand blasted



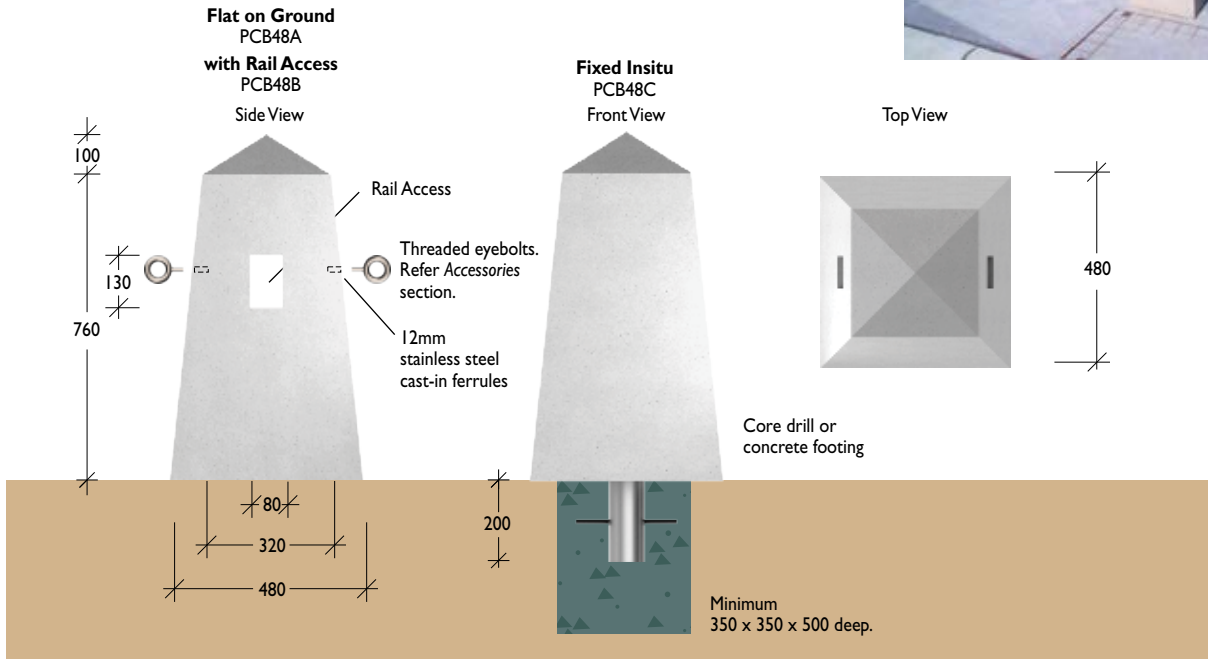
Architectural Range > Pre-cast Concrete

Product Range

1300 780 450

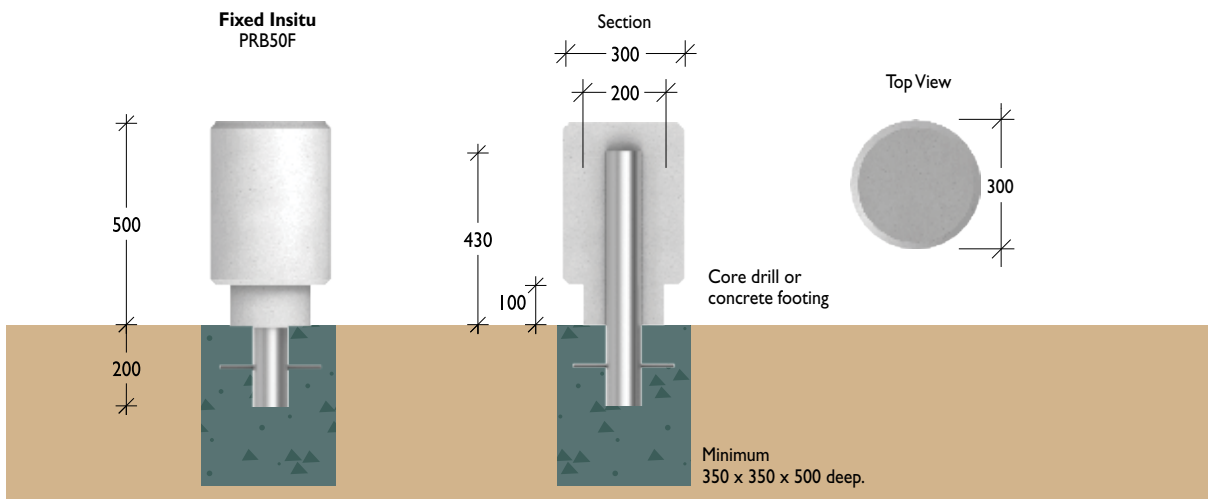
Cairo

Material 30MPa concrete / 80NB (88.9) x 5.0mm heavy duty galvanised pipe
Finish Off-white, lightly sand blasted / grey, smooth off-the-form



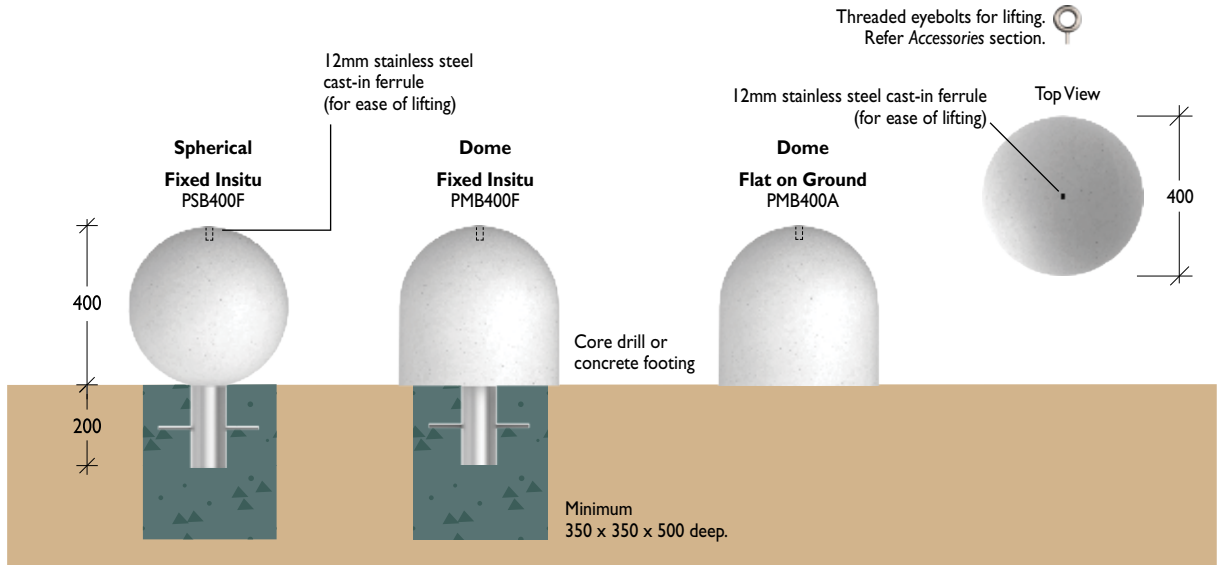
Roman

Material 30MPa concrete / 80NB (88.9) x 5.0mm heavy duty galvanised pipe
Finish Off-white, lightly sand blasted / grey, smooth off-the-form



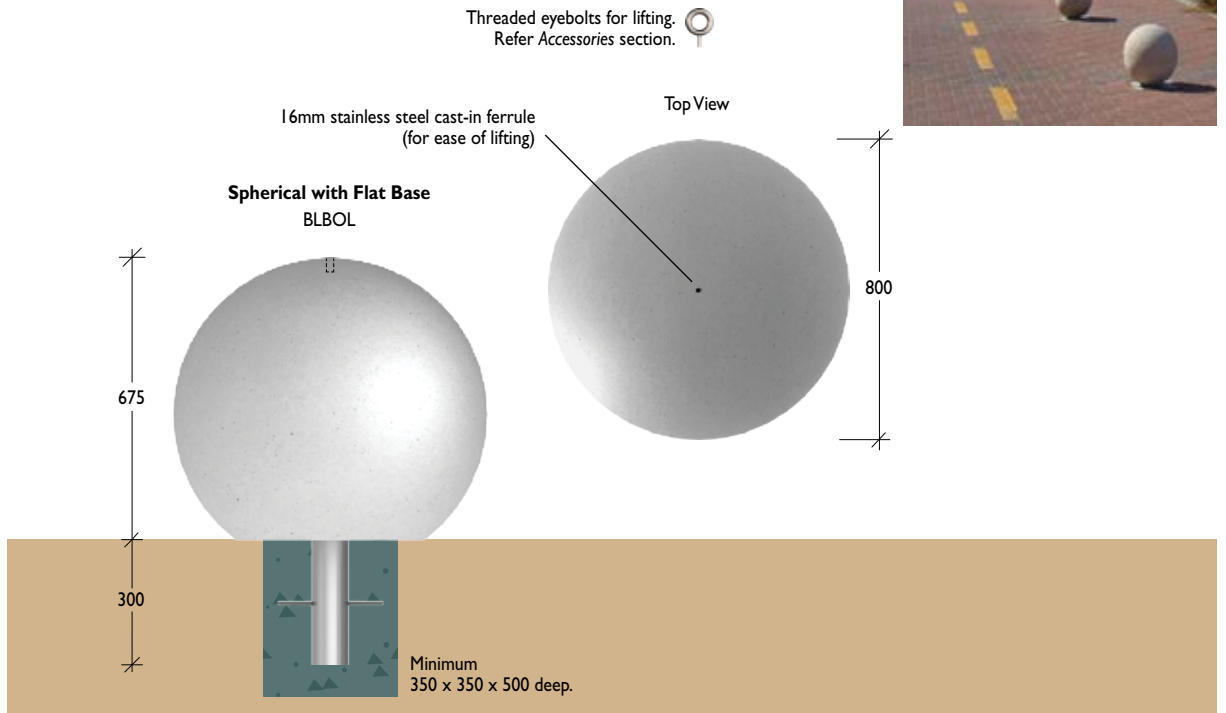
Camden

Material 30MPa concrete / 80NB (88.9) x 5.0mm heavy duty galvanised pipe
Finish Off-white, lightly sand blasted / grey, smooth off-the-form
Weight 125kg



Colossus

Material 30MPa concrete / 80NB (88.9) x 5.0mm heavy duty galvanised pipe
Finish Off-white, lightly sand blasted / grey, smooth off-the-form
Weight 800kg



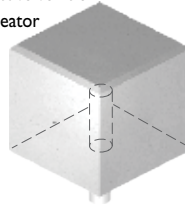
Architectural Range > Pre-cast Concrete

Cube

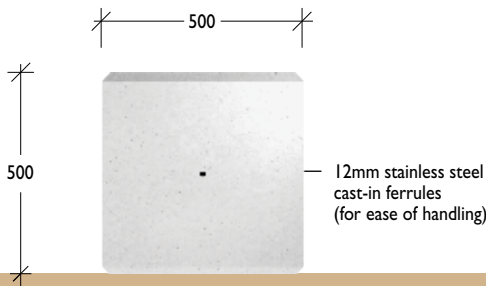
Material 30MPa concrete / 80NB (88.9) x 5.0mm heavy duty galvanised pipe
Finish Off-white, lightly sand blasted / grey, smooth off-the-form
Weight 310kg



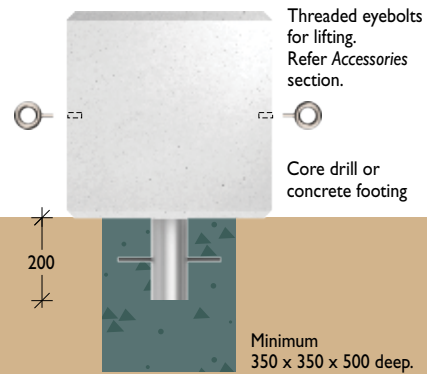
An attractive and effective vehicle access control delineator or seating module.



Flat On Ground
PCL55A



Fixed Insitu
PCL55F

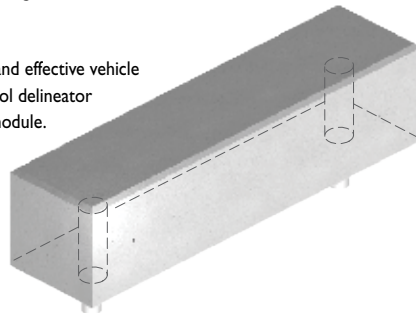


Log

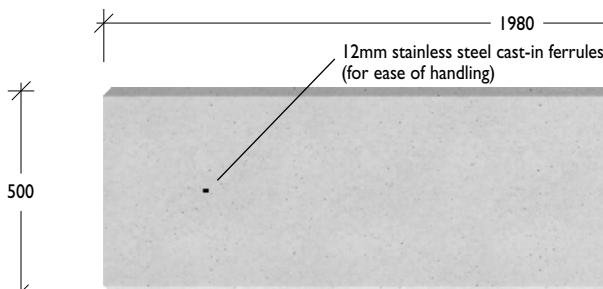
Material 30MPa concrete / 80NB (88.9) x 5.0mm heavy duty galvanised pipe
Finish Off-white, lightly sand blasted / grey, smooth off-the-form
Weight 1300kg



An attractive and effective vehicle access control delineator or seating module.



Flat on Ground
PCL205A



Fixed Insitu
PCL205F

